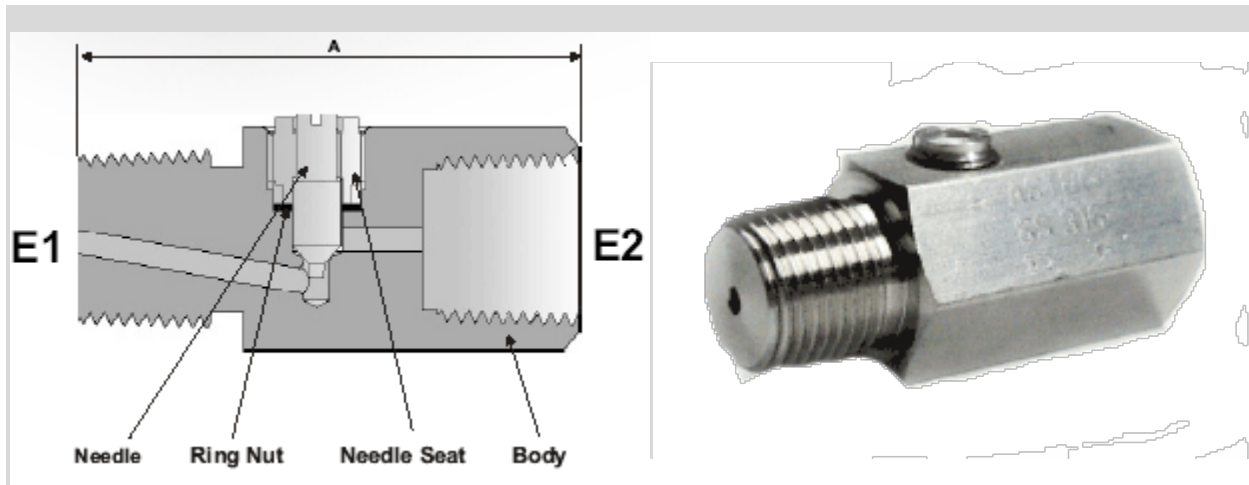


SNUBBER / DAMPER



INTRO:-

Gauge Snubber fittings protect pressure gauges and instruments from system pressure surges and shock. Pressure damping (snubbing) is accomplished through the use of a porous sintered SS 316 element. When snubber is installed upstream from a pressure instrument, the response rate of the instrument is reduced and generally varies with the initial pressure drop across the porous metal element, and allows the instrument to smoothly come to line pressure.

Heat code traceability

SPECIFICATION:-

Size : 1/4"F x 1/4"M
 1/2"F x 1/2"M
 1/4"F x 1/8"M
 1/2"F x 1/4"M
 1/2"F x 3/8"M

End Connection : NPT, BSP, BSPT, or as per customer requirement.

Working pressure : 5000 Psi (344Bar).

Temperature Rating : BRASS 400 Deg F (204 Deg C).

SS 316 1000 Deg F (538 Deg C)

Optional Sour Gas service valves are available conforming to NACE Std. MR - 01 - 75.

All Snubbers are 100% Factory tested prior to shipment.

APPLICATION:-

Refineries, liquid petroleum gas processing plant, petro-chemical plants, systems difficult to shut off due to solid contents dust, rust, dirt etc.

Pneumatic Seat test is performed at 1/4 of working pressure.

Hydrostatic shell test is performed at 1.5 times the working pressure.